

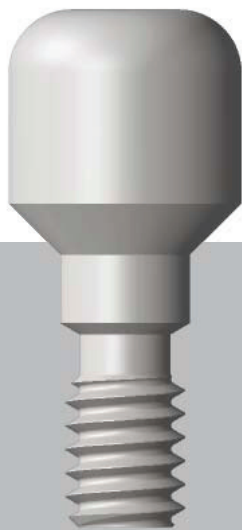
# PRODUCT CATALOG



AmazingSmileImplants.com

The Same components at The Best price

**2016**



AmazingSmileImplants.com

## About

Located in Israel , Amazing Smile Implants Specializes in highest quality Dental implants and Dental prosthetic parts.

We will give you the best price that you can get.

The Implant systems and the prosthetic components that we provide meet the European standards of production, traceability and packaging.

All our supplied components and products have CE.

We provide Dental implants that maximize the stability and esthetic with the best Dental Restoration Rate to make our Patient smile bigger.

Amazing Smile Implants provide dental professionals tooth-to-root solutions.

At Amazing Smile Implants, we aim to give the best higher value to our customers with our products and the solutions we provide.

Amazing Smile Implants offer prosthetic components and dental implants suitable for all indications at all types of bone and all surgical procedures.

AmazingSmileImplants.com



New generation engine: 1 Micron Precision



## Regulatory Compliance:

All The Implant systems and the prosthetic components that we provide meet the Highest standards set by the FDA and European standards agencies And have the European standards of production, traceability and packaging .

All the components and products that we provide are CE Marked

Amazing smile implants #025754888 complies with ISO 13485:2003&9001:2008.

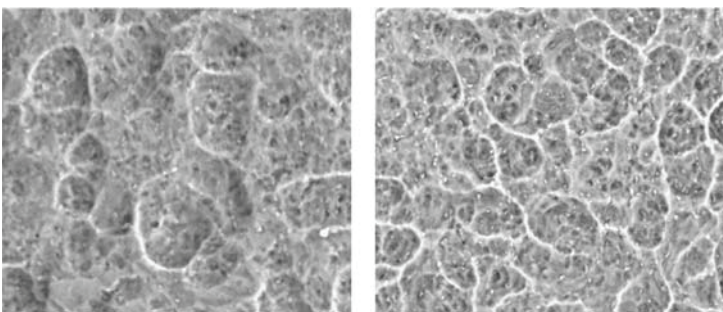
All the implants and prosthetic components that we provide are covered by a lifetime product warranty .



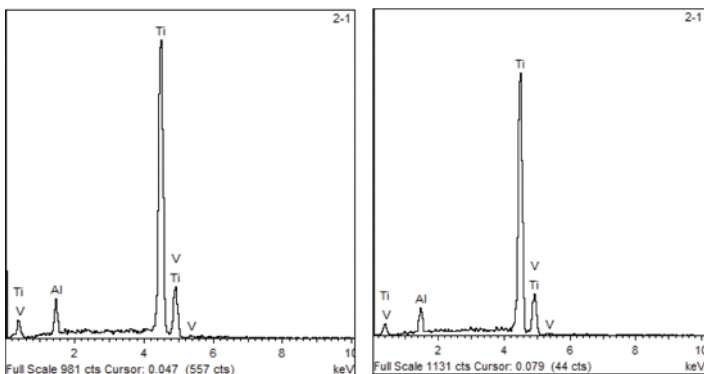
Acid Treatment – implants' view

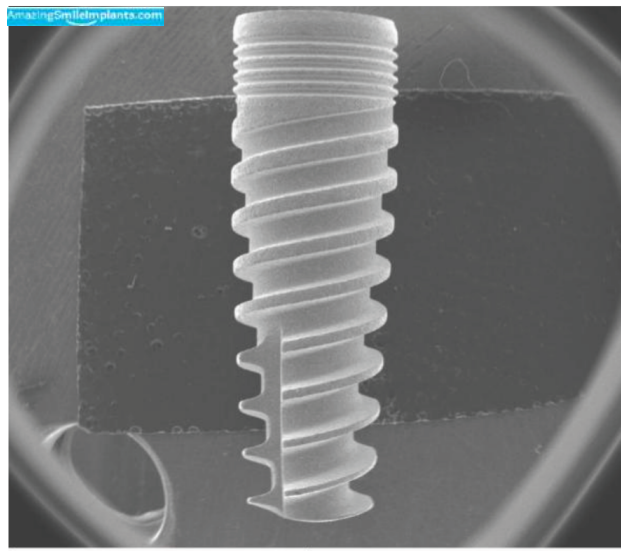


Acid Treatment – surface structure

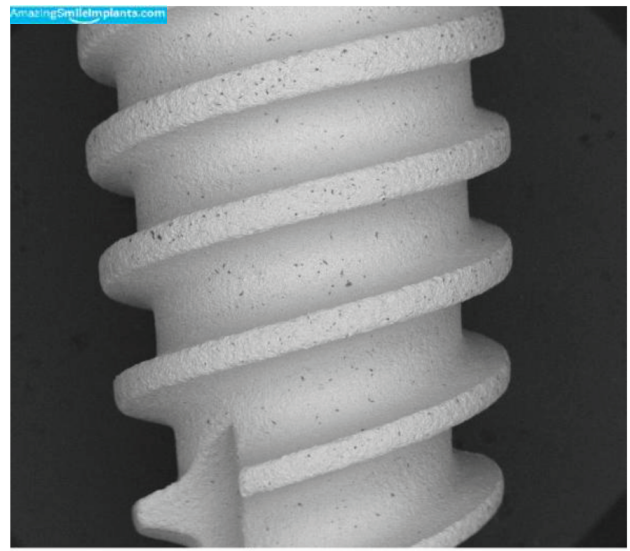


Acid Treatment – surface chemistry

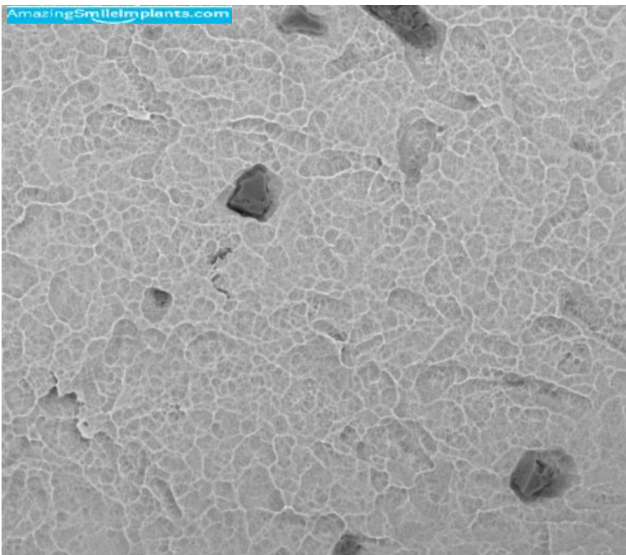




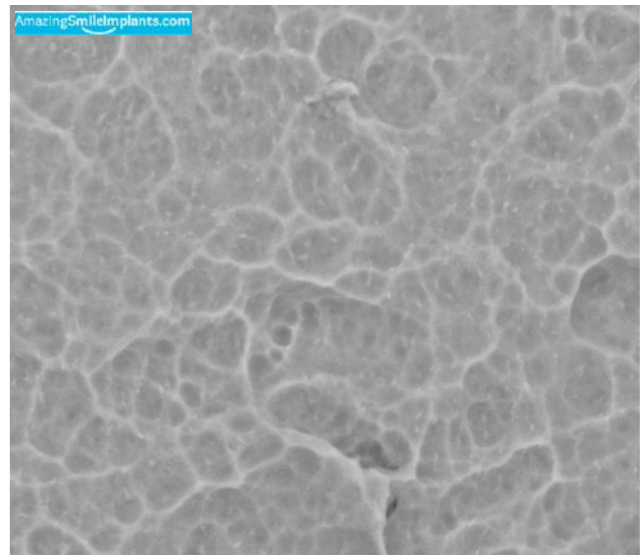
**A**



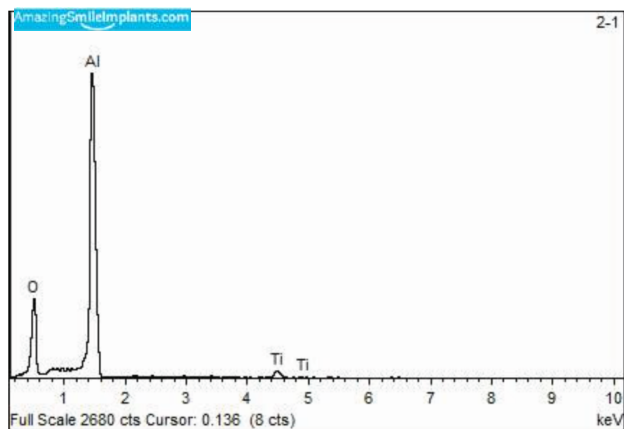
**B**



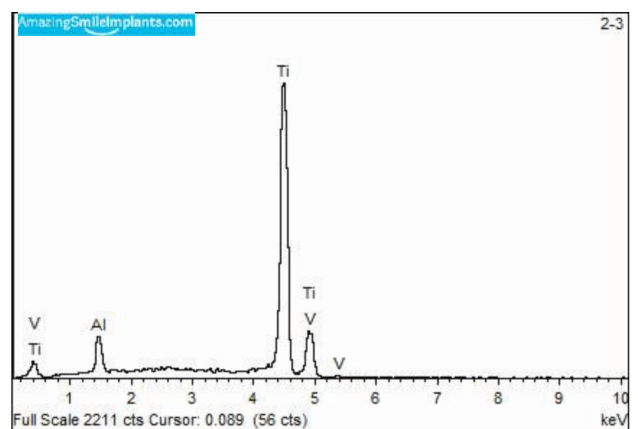
**C**



**D**



**E**



**F**

**Figure 1**

A-D- SEM images of implant - different magnifications

E- EDS spectrum from contaminations on the surface

F- EDS spectrum from a clear area on the surface of the implant

# Dental Spiral Implant

Spiral implant with an internal hexagon



3.0 mm



10 mm

11.5 mm

13 mm

16 mm

18 mm

DSI 1030

DSI 130

DSI1330

DSI1630

DSI 1830



3.5 mm



8 mm

10 mm

11.5 mm

13 mm

16 mm

18 mm

DSI 0835

DSI 1035

DSI 1135

DSI 1335

DSI 1635

DSI1835



3.75 mm



8 mm

10 mm

11.5 mm

13 mm

16 mm

18 mm

DSI 0838

DSI1038

DSI1138

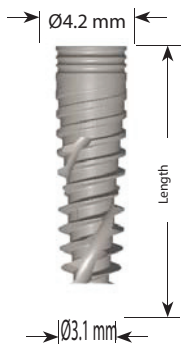
DSI 1338

DSI 1638








DSI 1838

# Dental Spiral Implant

Spiral implant with an internal hexagon









**4.2 mm**

						
6.25 mm	8 mm	10 mm	11.5 mm	13 mm	16 mm	18 mm
DSI 0642	DSI 0842	DSI 1042	DSI 1142	DSI 1342	DSI 1642	DSI 1842








**5.0 mm**

						
6.25 mm	8 mm	10 mm	11.5 mm	13 mm	16 mm	
DSI 0650	DSI 850	DSI 1050	DSI 1150	DSI 1350	DSI 1650	

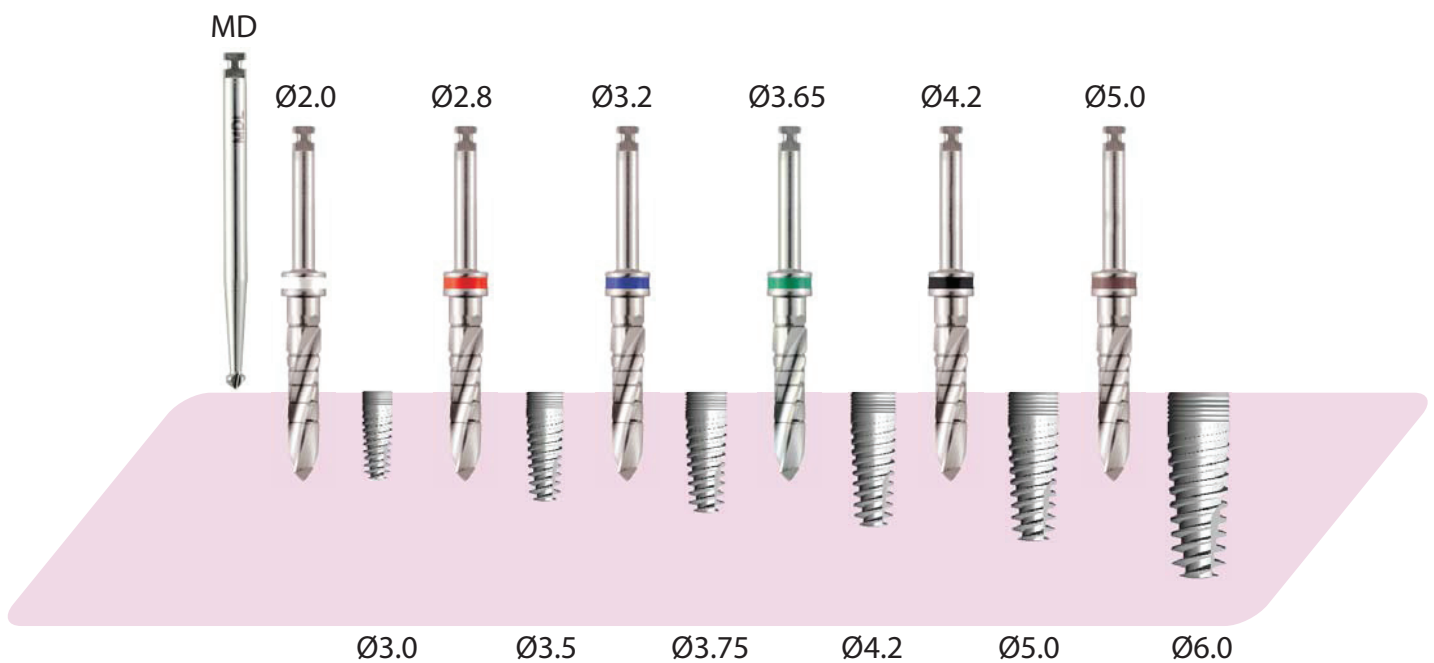


**6.0 mm**

						
6.25 mm	8 mm	10 mm	11.5 mm	13 mm		
DSI 0660	DSI 0860	DSI 1060	DSI 1160	DSI 1360		



## Drill Sequence



# Dental Classic Implant

## Cylindrical Dental Implant

	<b>3.3 mm</b>						
	8mm	10mm	11.5mm	13mm	16mm		
	<b>3.75 mm</b>						
	8mm	10mm	11.5mm	13mm	16mm		
	<b>4.2 mm</b>						
	6.25	8	10	11.5	13	16	
	<b>5.0 mm</b>						
	6.25	8	10	11.5	13	16	
	<b>6.0 mm</b>						
	6.25	8	10	11.5	13		
	<b>6.0 mm</b>						
	6.25	8	10	11.5	13		
	<b>6.0 mm</b>						
	6.25	8	10	11.5	13		
	<b>6.0 mm</b>						
	6.25	8	10	11.5	13		
	<b>6.0 mm</b>						
	6.25	8	10	11.5	13		
	<b>6.0 mm</b>						
	6.25	8	10	11.5	13		
	<b>6.0 mm</b>						
	6.25	8	10	11.5	13		
	<b>6.0 mm</b>						
	6.25	8	10	11.5	13		
	<b>6.0 mm</b>						
	6.25	8	10	11.5	13		
	<b>6.0 mm</b>						
	6.25	8	10	11.5	13		
	<b>6.0 mm</b>						
	6.25	8	10	11.5	13		
	<b>6.0 mm</b>						
	6.25	8	10	11.5	13		
	<b>6.0 mm</b>						
	6.25	8	10	11.5	13		
	<b>6.0 mm</b>						
	6.25	8	10	11.5	13		
	<b>6.0 mm</b>						
	6.25	8	10	11.5	13		
	<b>6.0 mm</b>						
	6.25	8	10	11.5	13		
	<b>6.0 mm</b>						
	6.25	8	10	11.5	13		
	<b>6.0 mm</b>						
	6.25	8	10	11.5	13		
	<b>6.0 mm</b>						
	6.25	8	10	11.5	13		
	<b>6.0 mm</b>						
	6.25	8	10	11.5	13		
	<b>6.0 mm</b>						
	6.25	8	10	11.5	13		
	<b>6.0 mm</b>						
	6.25	8	10	11.5	13		
	<b>6.0 mm</b>						
	6.25	8	10	11.5	13		
	<b>6.0 mm</b>						
	6.25	8	10	11.5	13		
	<b>6.0 mm</b>						
	6.25	8	10	11.5	13		
	<b>6.0 mm</b>						
	6.25	8	10	11.5	13		
	<b>6.0 mm</b>						
	6.25	8	10	11.5	13		
	<b>6.0 mm</b>						
	6.25	8	10	11.5	13		
	<b>6.0 mm</b>						
	6.25	8	10	11.5	13		
	<b>6.0 mm</b>						
	6.25	8	10	11.5	13		
	<b>6.0 mm</b>						
	6.25	8	10	11.5	13		
	<b>6.0 mm</b>						
	6.25	8	10	11.5	13		
	<b>6.0 mm</b>						
	6.25	8	10	11.5	13		
	<b>6.0 mm</b>						
	6.25	8	10	11.5	13		
	<b>6.0 mm</b>						
	6.25	8	10	11.5	13		
	<b>6.0 mm</b>						
	6.25	8	10	11.5	13		
	<b>6.0 mm</b>						
	6.25	8	10	11.5	13		
	<b>6.0 mm</b>						
	6.25	8	10	11.5	13		
	<b>6.0 mm</b>						
	6.25	8	10	11.5	13		
	<b>6.0 mm</b>						
	6.25	8	10	11.5	13		
	<b>6.0 mm</b>						
	6.25	8	10	11.5	13		
	<b>6.0 mm</b>						
	6.25	8	10	11.5	13		
	<b>6.0 mm</b>						
	6.25	8	10	11.5	13		
	<b>6.0 mm</b>						
	6.25	8	10	11.5	13		
	<b>6.0 mm</b>						
	6.25	8	10	11.5	13		
	<b>6.0 mm</b>						
	6.25	8	10	11.5	13		
	<b>6.0 mm</b>						
	6.25	8	10	11.5	13		
	<b>6.0 mm</b>						
	6.25	8	10	11.5	13		
	<b>6.0 mm</b>						
	6.25	8	10	11.5	13		
	<b>6.0 mm</b>						
	6.25	8	10	11.5	13		
	<b>6.0 mm</b>						
	6.25	8	10	11.5	13		
	<b>6.0 mm</b>						
	6.25	8	10	1			









# Analogs






Analogs for all platforms

					
	Ø3.75mm	Ø5.0mm	Ø3.0mm	standard analog for locator	standards analog for Multi Unit
	A-3.75	A-5.0	A-3.0	AFL	AFMU







# Transfers

					
	9mm	13mm	13mm narrow	13mm clip	9mm clip
	T-9	T-13	TN-3.8	TC-13	TC-9

# Casting Abutments

					
	Titanium Plastic Abutment	Plastic Abutment with Hex	Plastic Abutment non Hex	Plastic Abutment wide	
	P-3.75	ACH	ACN	PW-3.75	






# Transfers Screen Abutments

					
	PUT 1mm	PUT 2mm	PUT 3mm	PUT 4mm	FTA

## Staright Abutments

						
	5mm	7mm	9mm	11mm	13mm	15mm
	TA-5	TA-7	TA-9	TA-11	TA-13	TA-15

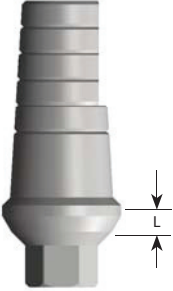




## Shoulder Abutments

					
	L=1mm	L=2mm	L=3mm	L=4mm	
	TSA-1	TSA-2	TSA-3	TSA-4	

## Narrow Abutments

					
	5mm	7mm	9mm	11mm	13mm
	TNA-5	TNA-7	TNA-9	TNA-11	TNA-13

## Standart Shoulder Wide Abutments

					
	L=1mm	L=2mm	L=3mm	L=4mm	
	TSWA-1	TSWA-2	TSWA-3	TSWA-4	

## Standart Slim Abutments

					
	5mm	7mm	9mm	11mm	13mm
	TAS-1	TAS-2	TAS-3	TAS-4	TAS-5

## Angular Abutments 15°

					
	15°-9	15°-11	15°-13	15°-SLIM	
	TAA-15	TAA-15-11	TAA-15-L	TAA-15-S	

## Angular Abutments 25°

					
	25°-9	25°-11	25°-13		
	TAA-25	TAA-25-11	TAA-25-L		

## Angular Abutments 35°



TAA-35

## Angular Abutments 45°

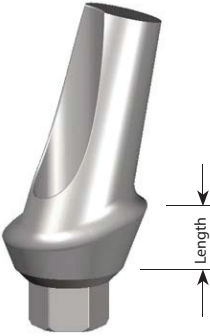






TAA-45

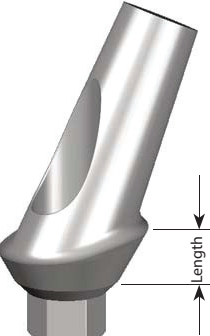




## Anatomic Straight Abutments Ø3.75

					
	1mm	2mm	3mm	4mm	
	TSA-01	TSA-02	TSA-03	TSA-04	

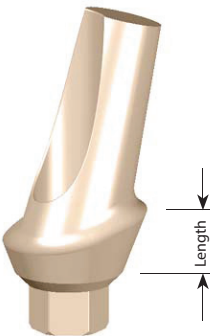




## Angular Aesthetic Abutment 15°

					
	15°-1	15°-2	15°-3	15°-4	
	TAA-15°-1	TAA-15°-2	TAA-15°-3	TAA-15°-4	

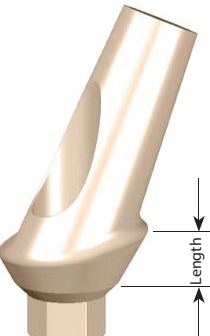




## Angular Aesthetic Abutment 25°

					
	25°-1	25°-2	25°-3	25°-4	
	TAA-25°-1	TAA-25°-2	TAA-25°-3	TAA-25°-4	

## Angular Abutments Shoulder 15° Peek

					
	15°-1	15°-2	15°-3	15°-4	
	AAP-15°-1	AAP-15°-2	AAP-15°-3	AAP-15°-4	

## Angular Abutments Shoulder 25° Peek

					
	25°-1	25°-2	25°-3	25°-4	
	AAP-25°-1	AAP-25°-2	AAP-25°-3	AAP-25°-4	

## Ball Attachment

	0.5mm	1mm	2mm	3mm	4mm	5mm	6mm	7mm
	BA-0.5	BA-1	BA-2	BA-3	BA-4	BA-5	BA-6	BA-7
	Metal Cap	Silicon Cap		Silicon Yellow Cap		Silicon Pink Cap		

## Healing Caps Normal 4.6mm

	2mm	3mm	4mm	5mm	6mm	7mm	8mm
	HC-2	HC-3	HC-4	HC-5	HC-6	HC-7	HC-8

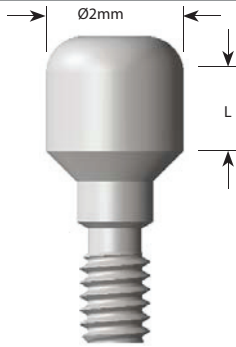





## Healing Caps Narrow 3.8mm

	3mm	4mm	5mm	6mm	7mm		
	HCN-3	HCN-4	HCN-5	HCN-6	HCN-7		

## Healing Caps Wide 5.5mm

	2mm	3mm	4mm	5mm	6mm	7mm	
	HCW-2	HCW-3	HCW-4	HCW-5	HCW-6	HCW-7	

## Standart Healing Caps Slim 2 mm

					
	2mm	3mm	4mm	5mm	6mm
	SHC -2	SHC -3	SHC -4	SHC -5	SHC -6

## Standart Healing Caps Extra Wide 6.3 mm

					
	2mm	3mm	4mm	5mm	
	HCXW-2	HCXW-3	HCXW-4	HCS-5	

## Multi Unit One Piece

ANALOG AMU-A	TRANSFER AMU-T	TITANIUM SLEEVE AMU-TS	HEALING CAP AMU-HC	PLASTIC SLEEVE AMU-PS

## Angular Multi Unit 17°

	17°-1	17°-2	17°-3		
	AMU-1710	AMU-1720	AMU-1730		

## Angular Multi Unit 30°

	30°-1	30°-2	30°-3		
	AMU-3010	AMU-3020	AMU-3030		



## Abutment for Angular Multi Unit











	AFMU
--	------

## Straight Multi Unit

	1 mm SMU 001	2 mm SMU 002	3 mm SMU 003	4 mm SMU 004	5 mm SMU 005	6 mm SMU 006



## Standard Locator System

 <p>SL-0.5</p>						
	L-1	L-2	L-3	L-4	L-5	L-6
						
	MCFL	L-G	L-O	M-W	M-L	

## Angular Double Loc System

					
	ADL -2	ADL -3	ADL -4		
					
	CL	LC-G	LC-O	LC-W	R-L


## Ball Attachment Angular Multi Unit

					
	1mm	2mm	3mm		
	BAA-1	BAA-2	BAA-3		
					
	Metal Cap	Silicon Cap	Silicon Yellow Cap	Silicon Pink Cap	

## Over Denture for Angular Multi Unit

					
	1mm	2mm	3mm		
	DMU-1	DMU-2	DMU-3	SF-11	FOD

# Drills with External Irrigation

						
2.00	2.50	2.80	3.20	3.65	4.2	5.2
D 200 L16	D 250 L16	D 280 L16	D 320 L16	D 365 L16	D 420 L16	D 520 L16

# Conical Drills with External Irrigation

						
3.20	3.70	4.50	5.50			
DC 3.2	DC 3.7	DC 4.5	DC 5.5			

# Conical Drill With Stoppers



CONICAL DRILL WITH STOPPERS Ø 2,2

CONICAL DRILL WITH STOPPERS Ø 2,7

Length 6 mm	Length 8 mm	Length 10 mm	Length 11.5 mm	Length 13 mm
----------------	----------------	-----------------	-------------------	-----------------

Length 6 mm	Length 8 mm	Length 10 mm	Length 11.5 mm	Length 13 mm
----------------	----------------	-----------------	-------------------	-----------------



CONICAL DRILL WITH STOPPERS Ø 3,3

CONICAL DRILL WITH STOPPERS Ø 3,7

Length 6 mm	Length 8 mm	Length 10 mm	Length 11.5 mm	Length 13 mm
----------------	----------------	-----------------	-------------------	-----------------





















Length 6 mm	Length 8 mm	Length 10 mm	Length 11.5 mm	Length 13 mm
----------------	----------------	-----------------	-------------------	-----------------



Length 6 mm	Length 8 mm	Length 10 mm	Length 11.5 mm	Length 13 mm
----------------	----------------	-----------------	-------------------	-----------------

CONICAL DRILL WITH STOPPERS Ø 4,5

# Instruments

					
DK 242070	DK 242150	DK 125070	DK 125150	DK-125100	DK-125150
					
KO	M-A	M-I	SP -100	SPI -160	TP
					
SHW 635	SR 1	STR 2	DPKO	Marking Drill	Drill Extender
				SMD	STDE
					
Surgical Kit SK25		Plastic Kit PK25			



AmazingSmileImplants.com



AmazingSmileImplants.com

Amazing Smile Implants #025754888  
Professor Shor Street 4 #8  
Tel Aviv , 6296104  
AmazingSmileImplants@gmail.com  
Tel : +972 3 5057553  
Mob : +972505923749 (+whatsapp)  
Fax : +972 3 5057553  
On SKYPE - SAMXS7

Dentaltransfers.com

Dentalimplantsparts.com

AmazingSmileImplants.com